



# SKM-EVK

MULTISTAGE CENTRIFUGAL SUMP PUMPS

INSTRUCTION for INSTALLATION, OPERATION & MAINTENANCE



## Instructions for Installation, Operation and Maintenance

Standart Pompa ve Makina San. Tic. A.Ş.

All rights reserved. Can not be copied or reproduced for any purpose without permission.  
Subject in the manual can be changed without any prior notice.

# Contents

---

<b>CONTENTS</b> .....	<b>i</b>
<b>IDENTIFICATION OF SAFETY AND WARNING SYMBOLS</b> .....	<b>iii</b>
<b>GENERAL INSTRUCTIONS</b> .....	<b>iii</b>
<b>SAFETY INSTRUCTIONS</b> .....	<b>iii</b>
<b>A- GENERAL</b> .....	<b>1</b>
A1- Pump Description .....	1
A2- Applications .....	1
A3- Pump Designation .....	1
A4- Pump Nameplate .....	1
A5- Technical Data .....	1
<b>B- UNCRATING, TRANSPORT AND STORAGE</b> .....	<b>2</b>
B1- Uncrating .....	2
B2- Transport .....	2
B2.1- General recommendations .....	2
B2.2- Lifting .....	2
B3- Storage .....	3
<b>C- INSTALLATION ON SITE</b> .....	<b>3</b>
C1- Bare Shaft Pump .....	3
C2- Preparation For Installation .....	3
C3- Installation Site .....	3
C3.1- Foundation .....	3
C3.2- Installation .....	3
C4- Coupling Alignment .....	4
C5- Connection The Piping .....	5
C5.1- General .....	5
C5.2- Suction piping .....	5
C5.3- Discharge piping .....	6
C5.4- Auxiliary pipe connections and accessories .....	6
C5.5- Minimum flow .....	7
C5.6- Electrical connections .....	7
C5.7- Final check .....	8
<b>D- START UP / SHUT DOWN</b> .....	<b>8</b>
D1- Preparation .....	8
D1.1- Lubrication control .....	8
D1.2- Check the shaft seal .....	8
D1.3- Venting and priming .....	9
D1.4- Checking the direction of rotation .....	9
D2- Start Up The Pump .....	9
D3- Shut Down The Pump .....	9
D4- Checks To Be Made While The Pump Is Running .....	9

<b>E-</b>	<b>LUBRICATION</b> .....	<b>10</b>
<b>F-</b>	<b>DISASSEMBLY, REPAIR AND REASSEMBLY</b> .....	<b>11</b>
	F1- Disassembly .....	11
	F2- Reassembly .....	11
	F3- Shaft Seal .....	12
	F3.1- Pump with soft packing gland .....	12
	F3.2- Pump with mechanical seal .....	12
<b>G-</b>	<b>SPARE PARTS</b> .....	<b>13</b>
<b>H-</b>	<b>FAULTS, CAUSES AND REMEDIES</b> .....	<b>13</b>
<b>I-</b>	<b>TIGHTENING TORQUES</b> .....	<b>15</b>
<b>J-</b>	<b>EXPECTED NOISE VALUES</b> .....	<b>15</b>
<b>K-</b>	<b>PERMISSIBLE FORCES AND MOMENTS AT THE PUMP FLANGES</b> .....	<b>16</b>
<b>L1-</b>	<b>SECTIONAL DRAWINGS (SKM-E 40a...65)</b> .....	<b>17</b>
<b>L2-</b>	<b>SECTIONAL DRAWINGS (SKM-E 80...150)</b> .....	<b>18</b>
<b>L3-</b>	<b>SECTIONAL DRAWINGS (MECHANICAL SEAL APPLICATION)</b> .....	<b>19</b>
<b>M-</b>	<b>SAFETY GUARD</b> .....	<b>20</b>

This manual is intended to be a reference guide for users of pumps providing information on

- Pump installation and maintenance instructions,
- Pumps start-up, operation and shut - down procedures.

## IDENTIFICATION OF SAFETY AND WARNING SYMBOLS



Safety instructions in this manual which could cause danger to life if not observed.



The presence of a dangerous electric current.



Non – observance to this warning could damage the machine or affect its functions.

## GENERAL INSTRUCTIONS



- **This manual should be kept in a safe place and ALWAYS be available to the QUALIFIED operating and maintenance personnel responsible for the safe operation and maintenance of the pumps.**

- Qualified personnel should be experienced and knowledgeable of safety standards.
- To avoid faulty operation and malfunctioning of pumps the instructions in this manual are to be CAREFULLY studied and followed at all stages of the pump installation and operating life.
- The user is responsible for ensuring that inspection and installation are carried out by authorized and qualified personnel who have studied this manual carefully.
- The pump should be used ONLY in the operating conditions given on the order for which the pump and materials of the construction have been selected and tested.
- If the pump is to be used for a different application please contact sales office or representative of the manufacturer. STANDART POMPA refuses to assume any responsibility if the pump used for different applications without prior written permission.
- If the pump is not to be installed and operated soon after arrival, it should be stored in a clean and dry place with moderate changes in ambient temperature. Extreme low or high temperatures may severely damage the pump unless suitable precautions are taken. The user is responsible for the verification of the ambient conditions where the pump will be stored or installed.
- STANDART POMPA does not guarantee repairs or alterations done by user or other unauthorized personnel. The use of original spare parts and accessories authorized by manufacturer will ensure safety.
- This manual does not take into account any site safety regulation, which may apply.

## SAFETY INSTRUCTIONS



**Strictly obey to the following instructions to prevent personal injuries and/or equipment damages:**

- Pump should be used only in the specified operating conditions.
- Any weight, stress or strains on the piping system should not be transmitted to the pump.
- Electrical connections on the motor or accessories must always be carried out by authorized personnel and in accordance to the local codes.
- Any work on the pump should be only carried out when the unit has been brought to standstill.
- **Always disconnect the power to the motor and make sure not be switched on accidentally before working on the pump or removing the pump from installation.**
- Any work on the pump should be carried out by at least two persons.
- When approaching the pump always be properly dressed and/or wear safety equipment suitable for the work to be done.
- Do not work on the pump when it is hot.
- Do not touch the pump or piping with temperatures higher than 80 °C. User must take suitable precaution to warn the persons (e.g. using warning signs, barrier).
- Always be careful when working on pumps that handling dangerous liquids (e.g. acids or hazardous fluids).
- Do not work on the pump when the pump and piping connected to the pump are under pressure.
- After completion of the work always fix the safety guards back in places previously removed.
- Do not run the pump in the wrong direction of rotation.
- Do not insert hands or fingers into the pump openings or holes.
- Do not step on the pump and/or piping connected to the pump.



# SKM-EVK PUMPS

## A- GENERAL

### A1- Pump description

•SKM-EVK series pumps are vertical multistage centrifugal sump pumps with closed impellers and diffusers.

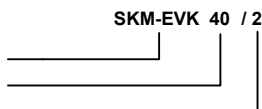
### A2- Applications

SKM-EVK series pumps are suitable for clean or slightly contaminated (max. 20 mg/dm<sup>3</sup>) liquids with low viscosities and temperatures up to 90°C. The main application areas, among others, are:

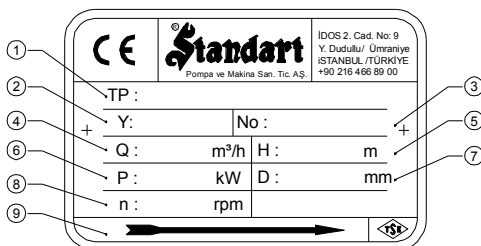
- General water supply, irrigation and sprinkler systems
- Pressurized water supply and booster systems,
- Boiler feed water and condensate,
- Heating and air conditioning,
- Circulation,
- Industry,
- Power plants.

### A3- Pump Designation

Pump type  
Discharge nozzle (DN in mm)  
Number of stages



### A4- Pump Nameplate



- 1- Pump Type and Size
- 2- Production Year
- 3- Serial No
- 4- Capacity
- 5- Head
- 6- Motor Power
- 7- Impeller Diameter
- 8- Speed
- 9- Direction of Rotation

### A5- Technical Data

Speed	: up to 2900 rpm
Discharge Nozzle	: DN 40 up to 150 mm
Suction Flanges	: TS-EN 1092-2 / PN 16
Discharge Flanges	: TS-EN 1092-2 / PN 40
Operating Temperature	: -10 °C up to 90 °C
Ambient Temperature (max)	: 40 °C
Casing Pressure (max)	: 30 bar (50 bar)
Permissible liquids	: See A2

## B- UNCRATING, TRANSPORT AND STORAGE

### B1- Uncrating

Upon receipt verify that the goods received are in exact compliance with that listed on the packing list. Check that no visible damage exists on the crate that could have occurred during transportation.

Carefully remove the packaging material and check that pump and accessories (if any) are free from any markings, stretches and damages, which may have occurred during transportation.

In the event of damage report this immediately to STANDART POMPA's service department and to the transport company.

### B2- Transport

#### B2.1- General recommendations



Existing regulations for the prevention of accidents must be followed.

Wearing of gloves, hard-toed boots and hard hats is obligatory for all transport works.

Wooden cases, crates, pallets or boxes may be unloaded with fork-lift trucks or using hoisting slings, depending on their size, weight and construction.

#### B2.2- Lifting

Prior to lifting and moving the pump or pump and motor on a common base plate find out the following:

Total weight and center of gravity

Maximum outside dimensions

Lifting points location

The load-bearing capacity must be proper to the weight of the pump or the pump set.

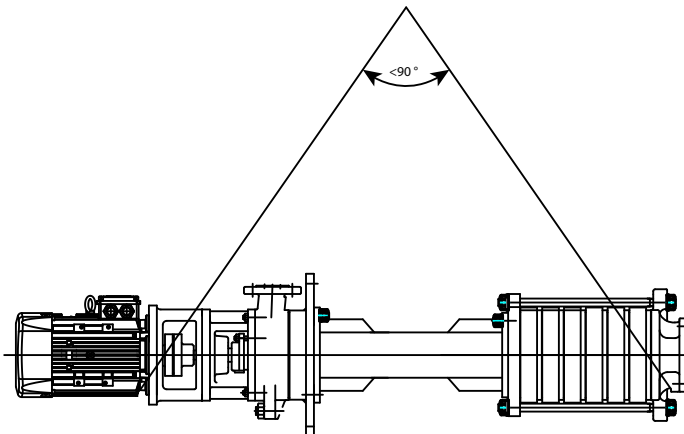
The pump or pump set must always be raised and transported in horizontal position.

It is absolutely forbidden to stand beneath or nearby a raised load.

A load should never remain in a raised position for longer than necessary.

Accelerating and braking during the lifting process must be performed such that there is no danger to persons.

When lifting the pump or complete pump set lift them as shown in **Fig.1a** and **Fig.1b** respectively to avoid any distortion (especially do not use the motor eyebolt for carrying the complete unit).



Şekil 1. Motopump



### B3- Storage

- If the pump is not to be installed and operated soon after arrival, store the pump in a clean, dry and frost-free place with moderate changes in ambient temperature.
- If the pump has regreaseable bearings, pump extra grease on bearings to prevent moisture from entering around the shaft.
- To prevent the pump from moisture, dust, dirt and foreign materials suitable steps should be taken.
- The pump shaft should be revolved periodically (e.g. once a week) to prevent pitting of the bearing surfaces and the pump from seizing up.

## C- INSTALLATION ON SITE

**ATTENTION** Installation has to be carried out in accordance with EN 60204-1.

The pump should only be installed, levelled up and aligned by skilled personnel. Incorrect installation or defective foundation could result in troubles. This would not be covered by the warranty.

### C1- Bare Shaft Pump

- If the pump has been supplied with bare shaft end it is required to prepare a proper base plate on which to mount the pump and motor assembly. The base plate must be properly designed and manufactured for enough rigidity to prevent vibrations and distortions.
- If the pump has been supplied without electric motor and coupling it is necessary to select a proper motor and coupling before proceeding to the installation of the unit.
- The following considerations must be taken into account for selection of motor:
  - Maximum power absorbed by the pump over the total operating range,
  - Pump operating speed,
  - Available power (frequency, voltage, etc.)
  - Motor type (TEFC, exproof, etc.)
  - Motor mounting position (foot mounted, flange mounted, horizontal, vertical, etc.)
- When selecting coupling nominal motor power and operating speed must be taken into account.

### C2- Preparation For Installation

*Before installing the pump*

- Clean the suction and discharge flanges thoroughly.
- Remove the protective coating from the pump shaft.
- If the pump has been in temporary storage remove all the grease from the bearings with grease lubricated or remove the oil from the bearing house if the pump is oil-lubricated, then clean the bearings with a suitable cleaning fluid and relubricate (**NOTE:** This is not necessary for the pumps with life time grease lubricated bearings).

### C3- Installation Site

**ATTENTION** • The pump must be installed in a frost and dust-free, well-ventilated and non-explosive environment.

- The pump should be installed such that there is space for access, ventilation, maintenance and there is sufficient space above the pump for it to be lifted.
- The suction pipe should be kept as short as possible.

#### C3.1- Foundation

**ATTENTION** • The greatest care must be taken in preparing the foundation and mounting the pump set. Incorrect installation will result in premature wear of pump components and break down of the pump.

- The foundation should be heavy enough to reduce vibrations and rigid enough to avoid any twisting or misalignment. Make sure the concrete foundation has set firm and solid before mounting the pumpset. The surface of the foundation should be truly horizontal and perfectly flat.

## C4- Connecting The Piping

### C4.1- General

**ATTENTION** • Never use the pump as an anchorage point or as a carrier for the piping.

- The pipes should be supported very near the pump (**Fig. 5**). It must be checked that any weight, stress or strains on the piping system should not be transmitted to the pump. Therefore after completing the piping installation, the bolt and connection on the suction and discharge nozzles must be loosened to ensure that there is not any stress on the piping system to the pump.
- **The nominal sizes of the pump suction and discharge nozzles are no guide to the correct sizes of the suction and discharge piping.** The nominal bores of the pipes should be same as or greater than those of the pump nozzles. Never use pipes or accessories which have smaller bore than the pump nozzles. Particularly foot valves, strainers, filters and non return valves must be preferred with larger free transition areas. In general the flow velocities should not exceed 2 m/s in the suction piping and 3 m/s in the discharge piping. Higher flow velocities will result in higher pressure drops, which could cause cavitation conditions in the suction piping and excessive friction losses in the discharge piping.
- Pipe joints should be by means of flanges with flange gaskets of proper size and material. Flange gasket must be centered between the flange bolts in a such way that there is no interference with the flow of the liquid.
- Thermal expansions of the pipework and excessive vibrations should be accommodated by suitable means so as not to impose any extra load on the pump.
- Prevent impurities such as welding beads, scale, sand and tow might be left in pipes while production of the piping system harms the pump. Seal the pump nozzles by means of blind gasket to stop impurities get in the pump. After assembling the system all the piping parts must be disassembled, thoroughly cleaned, painted and reassembled again. If a strainer is used on the suction side of the pump, it must be cleaned after several days of operation.

### C4.2- Discharge piping (**Fig. 6**)

- A control valve should be installed in the discharge pipe, as close to the pump as possible, to regulate the required flow and head.
- If the total head of the pump exceeds 10 meters or if discharge line is of appreciable length a non return valve should be installed between the pump and isolating valve on the discharge line to protect the pump against water hammer and reverse flow on shut down.

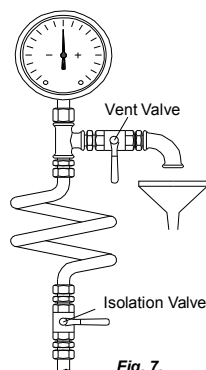
### C4.3- Auxiliary pipe connections and accessories

- Depending on the application auxiliary pipe connections (for cooling, sealing and flushing of seal, drainage etc. necessary for the pumping system) and/or accessories to check the operating conditions (pressure gages, temperature gages etc.) may be made up and laid.

- Pressure and vacuum gauges must be properly anchored and connected at the measuring points located on the pump flanges by means of or on the pipes close to the flanges approximately 8 mm diameter tubing with pig tail configuration to lessen pressure fluctuation. For safety purposes isolating and vent valves should be fitted before the gages (**Fig. 7**).

- Every pump is fitted with connections on the pump casing to drain the pump and on the bearing bracket to evacuate the seal leakage from the stuffing box. If required the pump drain and seal leakage can be piped to a suitable reservoir. The pump draining piping must be fitted with an isolating valve and both must be suitable for the maximum operating pressure of the pump.

- Cooling, sealing and flushing of seal piping must be connected only to the designated connections located on the pump.



**Fig. 7.**

### **C5.5- Minimum flow**

If there is a possibility of the pump having to operate at zero flow (against a closed discharge valve) or near the closed valve with almost no flow, then a minimum flow valve (or a by-pass check valve) must be installed on the discharge nozzle or on the discharge piping right after the pump but before the flow regulating valve. In cases where there is no such a valve operating the pump against close valve for a long time causes considerable damage on the pump since almost all the motor power is transformed into thermal energy which is absorbed by the pumped liquid.

### **C5.6- Electrical connections**



**The electrical motors have to be built in accordance with EN 60034-1.**

**Enclosures of electrical motors and control systems on the pump unit shall as a minimum give protection in accordance with EN 60529 IP22. But in determining the degree of protection of enclosures of electrical motors and control systems on the pump unit the operating and environmental conditions must be taken into consideration.**

Electrical connection should be done by a qualified electrician. Current national regulation and motor manufacturer's instructions must be observed.

Take all safety precautions listed in "**Safety instructions**". Disconnect all power supplies prior to doing any work.

The supply cable must be laid in such a way that it never touches the pipework, pump and motor casing.

Check voltage, phase and frequency on motor nameplate with the mains.

The electric motor must be protected against overloading by means of circuit breakers and/or fuses. Circuit breakers and fuses must be selected in accordance with full load amperage of the motor appearing on the motor rating plate.

It is recommended to use PTC (passive thermal control) on motor, but this is optional depending on customer requirement. In case of using PTC, these should be connected via corresponding terminals in the terminal box and the PTC should be connected to the thermal trip mechanism.

Prior to connecting the electrical wiring rotate the pump shaft by hand to make sure rotor rotates easily.

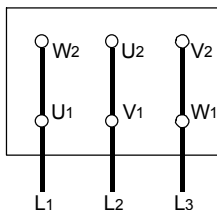
Connect the electrical wiring in accordance with local electrical codes and make sure to ground the motor.

The connection diagram can be found in the terminal box of the motor or in the instruction manual.

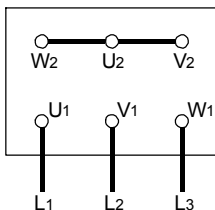
The mains connection on the tagboard depends on the nominal power of the motor, the power supply and the type of connection. The necessary connection of the bridges in the terminal box is shown in the following **(Table 1. and Fig. . a, 8b, 8c)**.

**Table 1**

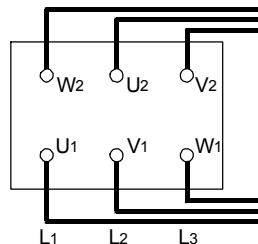
Type of switch	Motor Power $P_N \leq 4 \text{ kW}$	Motor Power $P_N > 4 \text{ kW}$
	power supply 3 ~ 400 V	power supply 3 ~ 400 V
direct	Y – connection (9b)	$\Delta$ – connection(9a)
Y / $\Delta$ - start	Impossible	Remove connecting bridges (9c)



**Fig. 8a.**  $\Delta$  - connection.



**Fig. 8b.** Y – connection



**Fig. 8c.** Y /  $\Delta$  - start

**ATTENTION**

In the case of three-phase induction motors with Y –  $\Delta$  – connection it must be ensured that the change-over points between star and delta follow on from one another very quickly. **Longer change-over times may result in pump damage (Table 2).**

**Table 2**

Motor Power	Y - set time
$\leq 30 \text{ kW}$	< 3 sec
> 30 kW	> 5 sec

**C5.7- Final check**

- After completion all the above process check the coupling alignment once more as described in C4. Correct if there is a fault. Rotate the pump rotor several times by hand. Make sure rotor rotates easily. Fix the safety guards in places then run the unit until it warms up and normal operating conditions are reached. Now shut it down and make final alignment by shimming driver only. **Final alignment should be made at operating temperature.**



- Fix the safety guards back in places. Do not operate the pump before doing so. This is a necessity for security and job safety.

**D- START UP / SHUT DOWN**

**D1- Preparation**

**D1.1- Lubrication control**

- Since the ball bearing of pump is generally life-time grease lubricated type it is maintenance free.
- See E for lubricating.

**D1.2- Check the shaft seal (see F3)**

### **D1.3- Venting and priming**

- Make sure that the pump and suction pipes are completely filled up with water. There is no problem for the pumps which have positive suction head. If there is a valve on suction line, it must be opened and air taps are loosened to enable the water replaces air in the pump, until it is completely full with water.
- If there is a foot valve for the pump, which has suction lift, pump is filled up with water through the filling tap at the highest point of the pump and the air is emptied out.
- If the system has a vacuum pump, water is brought up in the rising pipe and filled up the pump through this vacuum pump. When water is risen up to the highest point then the pump is started up.

**ATTENTION** Make sure the pump never runs dry.

### **D1.4- Checking the direction of rotation**

**SKM-EXS** type pumps rotate in clockwise when it is looked from coupling to the pump. This direction is already indicated on the pump nameplate by an arrow. Check this by switching the pump on, then off again immediately. Fit the coupling guard back in place if you took it out.

### **D2- Start Up The Pump**

- Check if the shut off valve in the suction line is open and the shut off valve in discharge line is closed.
- Switch on the circuit breaker and run the motor.
- Wait until the motor reaches the full speed (on star-delta running motors wait until it switches on delta).
- Open the discharge valve slowly while watching the ampermeter on the control panel (if the discharge line is empty do not turn on the valve fully open on first start up. Turn it on slowly to maintain the value on the ampermeter is under the rated current value of the motor).
- When the valve is fully open, check the pressure on the manometer and see it is the same with the duty point pressure. If the pressure on the pressure gauge is lower than duty point pressure brings them to the duty point value by slightly closing the valve. If it is higher value, check your installation, particularly head again.

**ATTENTION** The pump should be shut down at once and the trouble should be corrected if the pump is running at its rated speed and found any of the following faults:

- Pump doesn't deliver any water,
- Pump doesn't deliver enough water,
- Flow is going down,
- Discharge pressure is not enough,
- Driver overloaded,
- Vibration on pump,
- High noise level,
- Bearing overheating

### **D3- Shut Down The Pump**

- Slowly close the shut-off valve in the discharge line.
- You may shut down the pump without closing the shut-off valve if there is a device for water hammer protection on the discharge line or the water hammer is not a considerable level.
- Switch off the driver. Ensure the pump set runs down smoothly and quietly to a standstill.
- Shut off external sealing liquid supply, if supplied, to relieve stuffing box pressure.
- If the set is to remain out of services for a long time close the shut-off valve in the suction pipe. Close off the auxiliary connections. In the event of frost and/or prolonged standstill, drain the pump or otherwise protect against freezing.

### **D4- Checks to be Made While The Pump is Running**

- The pump must run smoothly, quietly and free from vibration at all times.
- The pump must never run dry.
- Never run the pump for along period against a closed discharge valve (at zero flow).
- The bearing temperature may exceed the ambient temperature by up to 50° C. But must never rise above 80° C.
- The valves in the auxiliary lines must remain open while the pump is running.

- If the pump has soft packing type stuffing boxes, these should drip during operation. The gland nuts should only be lightly tightened. In case of excessive leakage from the stuffing box tighten the gland nuts slowly and evenly until the leakage is reduced to the dripping state. Check the stuffing box for overheating by hand. If the gland nuts can not be tightened any further remove the old packing rings and clean the packing chamber and insert the new packing rings. Make sure that each packing ring is cut of correct size. The joint in successive ring should be offset to each other.
- If the pump has a mechanical seal, these will experience only minor leakage or no visible leakage during operation. It is maintenance free. If there is considerable leakage from the seal, that means the seal surfaces are worn-out and it needs to be replaced. The operation life of the mechanical seal highly depends on the purity of the water.
- The flexible coupling elements should be regularly checked and replaced as soon as they are shown signs of wear.
- Occasionally check the motor current. Stop motor if the amperage is higher than usual; there may be jamming or friction in the pump. Make the necessary mechanical and electrical checks.
- Stand-By pumps should be run for a short time at least once a week to ensure they are in constant readiness for operation. Check the integrity of auxiliary connections.

## E- LUBRICATION

The pump shaft is supported by grease lubricated sleeve bearing in the suction casing and life time grease lubricated ball bearing on the delivery side. Life time-grease lubricated ball bearings are maintenance free. Regreaseable type of ball bearing is available on special request.

### Periods of re-greasing

The pump bearings are filled up with grease before dispatch.

**Ball bearing** : The grease should be changed after 3000 hours or two years at the longest operation. Use a high quality lithium soap grease.

**Sleeve bearing** : Add grease ones in ever two weeks. Use high quality grease with graphite

See the attached table for required amount of grease according to pump sizes.

1450 d/dak			2900 d/dak		
Pompa Tipi	Kademe Sayısı	Rulman Tipi	Pompa Tipi	Kademe Sayısı	Rulman Tipi
32	2...12	3305	32	2...12	3305
40	2...12	3305	40	1...11	3305
50	2...12	3306	50	1...8	3306
65	2...10	3307	65	1...5	3307
80	2...10	3008	80	1...3	3008
100	1...8	3309			
125	1...6	3310			
150	1...3	3312			

**Tablo 3**

**ATTENTION** • The bearing temperature may exceed the ambient temperature by up to 50° C. But never rise above 80° C.

- Do not reuse the bearings following disassembly for maintenance purposes.

## F- DISASSEMBLY, REPAIR AND REASSEMBLY



- Before starting work on the pumpset, make sure it is disconnected from the mains and can not be switched on accidentally.



- Follow the safety precaution measures outlined in "safety instructions".

### F1- Disassembly

- Close all valves in the suctions and discharge lines, and drain the pump by opening the drain plugs (230).
- Detach pump suction and discharge flanges and all auxiliary supply lines, disconnect the pump from the piping system.
- Disconnect the motor (600) from the motor pedestal (011).
- Remove coupling guard and other safety guards (See **section M** for guards).
- Unscrew the anchor bolts of pump support plate (016).
- Place the pump on its motor pedestal (011) vertically.
- Before dismantling the pump, number or mark the stage casings, suction and discharge casings and also mark their position in relation to each other to ensure proper reassembly.
- Disconnect the filter (013) from the suction casing (004).
- Disconnect the suction casing (003) from the stage casing (006).
- Unscrew the impeller nuts (064).
- Remove in sequence impellers (050), stage casings (006) together with diffusers (015) and final stage diffuser and keys (210).
- Unscrew the bolts (320) and disconnect the column pipe (013).
- Unscrew the allen bolts (350) and remove the coupling (091).
- Disconnect the column pipe (014) from the discharge casing (005).
- Unscrew the stud (306) and disconnect the discharge casing (005).

**Remark :** If the pump has mechanical seal, first disconnect the mechanical seal cover (048) from the discharge casing, and then disconnect the discharge casing from the bearing housing (030).

- Place the pump horizontally for removing the rest of the parts of the pump.
- Disconnect the motor pedestal (011).
- Disconnect the coupling (pump) (090) from the shaft using a pull-off device and remove key (212).
- Disconnect the bearing cover (034).
- Carefully drive the shaft and bearing (200) out of the bearing housing with gentle taps on the end of shaft.
- Pull of the bearing (200) from the shaft.
- Remove the spacer sleeve (067).

### F2- REASSEMBLY

- Reassemble in accordance with standard engineering practice. You may find the attached drawings useful.
- Clean all the parts, replace damaged or worn-out ones.
- Coat the seats and screw connections with graphite, silicon or similar slippery substance before assembly. If you can not find any of the above you may use oil instead (except the pumps for drinking water).

#### **ATTENTION**

- **Never use the old o-rings and make sure the new o-rings are the same size as the old ones.**

- Reassemble the pump in reverse sequence to dismantling.

### **F3- Shaft Seal**

#### **F3.1- Pump with soft packing gland**

- While starting to change soft packing thoroughly clean the stuffing box and shaft sleeve.
- Cut enough number of pieces at the suitable length diagonally from suitable size of soft packing. Roll it up over the shaft sleeve and see the ends are in full contact.
- Insert the first packing ring as the joint will place up, and press home using the gland cover.
- Place the second ring as joint will place down. Insert all the packing rings in the same way. If there is a lantern ring put into place too.
- Place the gland and fully tighten, thus the packing rings will take the shape of stuffing box, then loosen it. Slightly tighten by turning the shaft and stop tightening when it slightly brakes the shaft.
- After starting operation, it is necessary that water drips from the packing. This dripping shouldn't be less than 10 cm<sup>3</sup>/min and more than 20 cm<sup>3</sup>/min. Adjust dripping by uniformly tightening and slackening the gland nuts slightly.
- Check the temperature of soft packing after two hours operation after gland adjustment to avoid overheating. Packing temperature must not exceed 80°C where pumping liquid temperature is the same as ambient temperature.

#### **F3.2- Pump with mechanical seal**

- When operating properly the mechanical seal has no visible leakage. Usually mechanical seals do not require maintenance until leakage is visible but its tightness is to be checked regularly.
- Follow the instructions of mechanical seal manufacturers for the pumps having mechanical seals and NEVER RUN IT DRY!



## G- SPARE PARTS

- STANDART POMPA guarantees to supply the spare parts for SKM-EVK type pumps for 10 years. You can provide any spare parts easily.
- Lets us know the following details on the name-plate, when you order spare parts.

**Pump Type and Size** : (SKM-EXS 40/2)  
**Motor power and Speed** : (7,5 kW - 2900 rpm)  
**Prod. Year and Serial Number** : (2015 - 1506015)  
**Capacity and Head** : (25 m<sup>3</sup>/h - 60m)

- If you prefer to have spare parts in your stock, we recommed you to have the following quantities for a two years operation depending on the number of same type of pumps (**Table 5**).

**Table 5**

Part No	Part Name	Number of pumps in the system						
		2	3	4	5	6-7	8-9	10+
060	Shaft (Incl. keys)	1	1	2	2	2	3	30%
050	Impeller	1xs(*)	1xs	1xs	2xs	2xs	3xs	30%
036	Sleeve bearing	1	1	2	2	3	4	50%
200	Ball bearing	1	1	2	2	3	4	50%
420	O-Rings for casing	s + 1	s + 1	s + 1	2s + 1	2s + 1	3s + 1	150%
422	O-Rings for shaft	2	3	6	8	8	10	150%
400	Soft packing (set)	2	2	3	3	3	4	40%
070	Shaft sleeve (if any)	2	2	2	3	3	4	50%

(\*) s: number of stages

## H- FAULTS, CAUSES AND REMEDIES

In this section you will find operating faults which may arise, and their causes (**Table 6**), and suggested remedies (**Table 7**).

**ATTENTION** Before remedying operating faults, check all measuring instruments used for reliability and accuracy

**Table 6**

FAULTS	POSSIBLE CAUSES
Pump doesn't deliver any water after start-up	1-5-7-10-11-13
Flow is going down or no flow at all	2-3-8-14
Driver overloaded	9-12-17-18-19-27-28
Bearings overheating	19-20-21-22-24
Vibration on pump	15-16-19-23-25
Noise level is high	4-6-26

**Table 7**

	<b>POSSIBLE CAUSES</b>	<b>REMEDIES</b>
1	There may be air existing in pump or suction pipe	Fill pump and suction pipe completely with liquid and repeat the priming procedure.
2	Ingress of air through shaft seal, suction pipe or suction port. Pump lifts liquid with air	Check for leaks in suction pipe joints and fittings. Check shaft seal if necessary increase the pressure of sealing liquid. Check the dept of suction pipe or foot valve in the liquid and if necessary increase the depth of them.
3	Air pocket in the suction pipe.	Check the slope of the suction line make sure that there is no reason for formation of air pockets
4	There is air in liquid	Suction pipe is not submerged enough creating vortex. Check liquid level in suction tank or increase the depth of suction pipe or foot valve in the liquid.
5	Too much suction lift	If no obstruction at inlet check the friction losses of suction line, larger piping may correct condition. If static lift is too high, the liquid level in the suction tank must be raised or the pump lowered.
6	Pump is working at cavitation conditions	NPSH available is too low. Check liquid level in suction tank, check suction line for excessive friction losses. Check isolating valve in suction line to make sure it is completely open. If necessary increase suction head on pump by lowering the pump.
7	Insufficient manometric head.	The actual total head is higher than that originally specified. Check the geodetic total head and friction losses in the discharge line. Larger piping may correct the condition. Check that valves are fully open.
8	Increase at total manometric head.	Check that valves are fully open. Check that there is any obstruction in discharge pipe.
9	Pump is operating at lower manometric head.	The actual total head is lower than that originally specified. Machine impeller outer diameter to size advised by supplier.
10	Reverse rotation.	Check motor rotation with directional arrow on pump casing or nameplate.
11	Speed is too low.	Check the supply voltage and frequency or motor may have open phase.
12	Speed is too high.	If possible decrease the pump rotational speed or turn down the impeller outer diameter to size advised by supplier.
13	Impeller or check valve or strainer is clogged.	Clean the impeller or check valve or strainer
14	Impeller or strainer is clogged partially.	Clean the impeller or strainer.
15	Partially clogged impeller.	Clean the impeller.
16	Worn out and defected impeller.	Replace impeller.
17	Mechanical frictions inside the pump.	Check pump rotor for any rotor obstruction or deflection.
18	Excess tightened soft packing.	Loosen the nuts of the packing gland.
19	Bad coupling alignment.	Check the coupling rubber and realign the coupling.
20	Bearing covers are too tight.	Check and make necessary modification on the cover.
21	The pumped flow is less than the minimum flow required.	Increase the flow. If necessary use by-pass recirculating valve or line.
22	Existence of excess grease.	Remove excess grease.
23	Oblique shaft.	Check the shaft and replace it if necessary.
24	Insufficient lubrication or lubricating oil/grease dirty, contaminated.	Check the amount of oil/grease. Clean the bearings and bearing housing and relubricate
25	Unbalanced rotating parts.	Check the balance of the rotating parts.
26	Pump runs out of duty range.	Check the values of operating point.
27	The density or viscosity of the liquid pumped is higher than that originally specified.	Use a more powerful motor.
28	Defects in motor.	Check any motor defects. The motor may not be ventilated properly due to a poor location.

## I- TIGHTENING TORQUES

Tightening Torques		
Thread Diameter	Tightening Torque max (N.m)	
	Property Classes	
	8.8	10.9
M4	3.0	4.4
M5	5.9	8.7
M6	10	15
M8	25	36
M10	49	72
M12	85	125
M14	135	200
M16	210	310
M18	300	430
M20	425	610
M22	580	820
M24	730	1050
M27	1100	1550
M30	1450	2100
M33	1970	2770
M36	2530	3560

## J- EXPECTED NOISE VALUES

Power of Motor $P_N$ (kW)	Sound pressure level (dB <sub>A</sub> ) * (Pump with motor)	
	1450 rpm	2900 rpm
< 0.55	60	64
0.75	60	66
1.1	62	66
1.5	63	68
2.2	64	69
3	65	70
4	66	71
5.5	67	73
7.5	69	74
11	70	76
15	72	77
18.5	73	78
22	74	79
30	75	81
37	75	82
45	76	82
55	77	84
75	78	85
90	79	85
110	80	86
132	80	86
160	80	86

(\*) Without protective sound hood, measured at a distance of 1 m directly above the driven pump, in a free space above a sound reflecting surface.

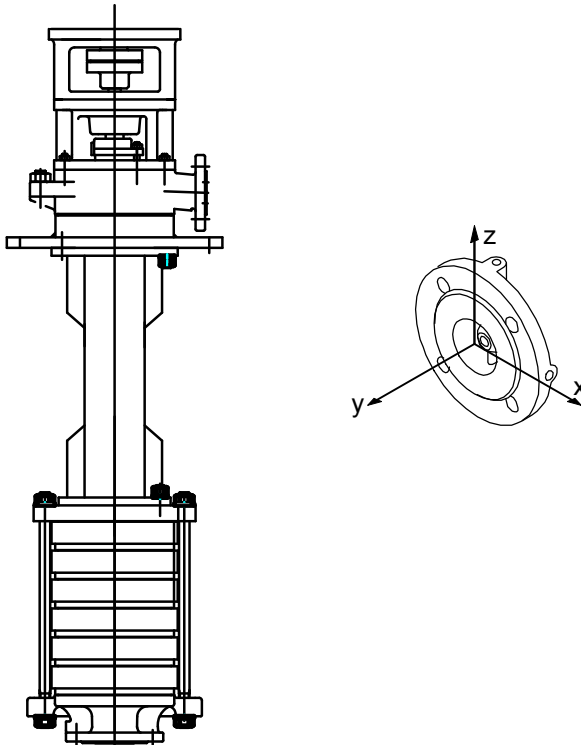
## K- PERMISSIBLE FORCES AND MOMENTS AT THE PUMP FLANGES

Tip	Suction Side									Discharge Side								
	DN	F <sub>x</sub>	F <sub>y</sub>	F <sub>z</sub>	ΣF <sup>b</sup>	M <sub>x</sub>	M <sub>y</sub>	M <sub>z</sub>	ΣM <sup>b</sup>	DN	F <sub>x</sub>	F <sub>y</sub>	F <sub>z</sub>	ΣF <sup>b</sup>	M <sub>x</sub>	M <sub>y</sub>	M <sub>z</sub>	ΣM <sup>b</sup>
40	50	560	510	620	980	330	450	250	780	40	410	380	470	730	280	400	200	700
50	65	710	640	790	1200	380	500	300	850	50	560	510	620	980	330	450	250	780
65	80	840	770	940	1500	400	550	330	930	65	710	640	790	1200	380	500	300	850
80	100	1100	1000	1300	2000	480	630	380	1100	80	840	770	940	1500	400	550	330	930
100	125	1400	1300	1600	2500	630	800	500	1300	100	1100	1000	1300	2000	480	630	380	1100
125	150	1700	1500	1900	2900	780	1000	630	1600	125	1400	1300	1600	2500	630	800	500	1300
150	200	2300	2000	2500	3900	1100	1400	900	2200	150	1700	1500	1900	2900	780	1000	630	1600

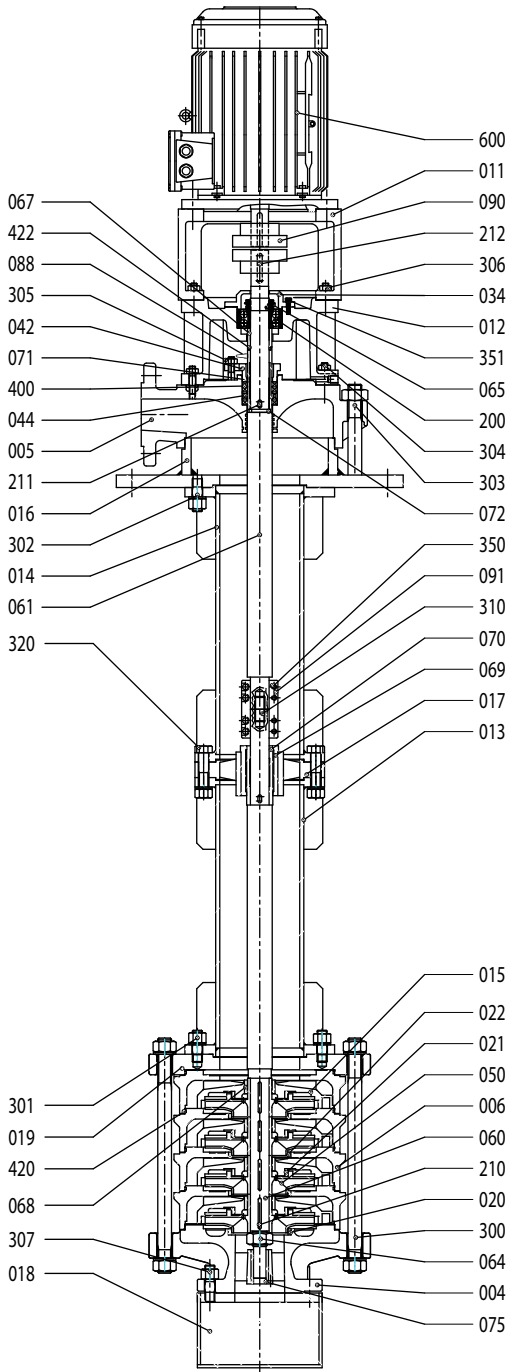
\* Forces in Newton [N], moments in Newton x Meter [N.m].

\*\* Values are applicable for casing material "Grey Cast Iron (EN-JL-250 / GG25)".

Higher values are permissible for steel construction pumps.

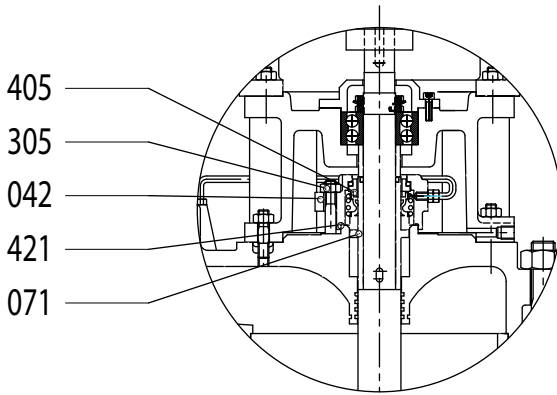


# L1- SECTIONAL DRAWING



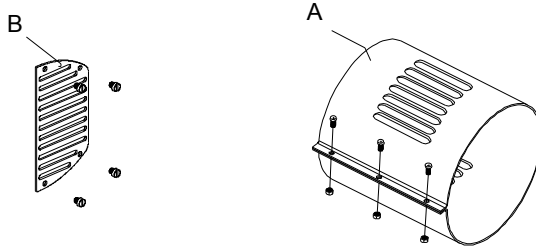
004	Suction Casing
005	Discharge Casing
006	Stage Casing
011	Motor Pedestal
012	Bearing Housing
013	Column Pipe (Bottom)
014	Column Pipe (Top)
015	Diffuser
016	Support Plate
017	Inter Bearing Housing
018	Filter
019	Casing Flange
020	Wear Ring (Suction casing)
021	Wear Ring (Diffuser) Wear
022	Ring (Stage casing)
034	Bearing Housing Cover
042	Gland
044	Lantern Ring
050	Impeller
060	Shaft (Bottom)
061	Shaft (Top)
064	Impeller Nut
065	Lock Washer
067	Spacer Sleeve (Bearing)
068	Sleeve
069	Inter Bearing (inner) Inter
070	Bearing Sleeve
071	Seal Sleeve
075	Bottom Bearing
088	Thrower
090	Coupling
091	Coupling
200	Bearing
210	Impeller Key
211	Sleeve Key
212	Coupling Key
300	Stud
301	Stud
302	Stud
303	Stud
304	Stud
305	Stud
306	Stud
307	Stud
310	Pin
320	Bolt
350	Allen Bolt
351	Allen Bolt
400	Soft Packing
420	O-ring
422	O-ring
600	Motor

**L2- SECTIONAL DRAWING**



421			O-Ring	
405			Mechanical Seal	
305			Stud	
071			Mechanical Seal Sleeve	
042			Mechanical Seal Cover	

## M- SAFETY GUARD



Safety guard

**Note: All guards are conforming to EN 294.**

## EC DECLARATION OF CONFORMITY

**Products:** Pumps of type **SKM-EVK** with motor and baseplate

**Manufacturer:**

**Standart Pompa ve Makina San. Tic. A.Ş.**

Organize San. Bölgesi 2. Cad. No:9

34775 Esenkent / Ümraniye / İSTANBUL / TURKEY

t: +90 216 466 89 00 f: +90 216 499 05 59

www.standartpompa.com / info@standartpompa.com

The manufacturer herewith declares that the described products meet the essential requirements of **Machinery Directive 2006/42/EC and Low Voltage Directive 2006/95/EC.**

Harmonised standards applied are;

- EN 809
- EN ISO 12100:2010
- EN 60204-1



Şeref T. ÇELEBİ

General Vice Manager

İstanbul, 12<sup>th</sup> January 2015

The product is marked with **CE** on its name plate.

---

## MANUFACTURER DECLARATION OF CONFORMITY

**Products:** Pumps of type **SKM-EVK** (bareshaft)

**Manufacturer:**

**Standart Pompa ve Makina San. Tic. A.Ş.**

Organize San. Bölgesi 2. Cad. No:9

34775 Esenkent / Ümraniye / İSTANBUL / TURKEY

t: +90 216 466 89 00 f: +90 216 499 05 59

www.standartpompa.com / info@standartpompa.com

The manufacturer herewith declares that the described products meet the essential requirements of **Machinery Directive 2006/42/EC.**

Before the pump is put into operation, the machinery unit in which the pump is functioning to be declared in conformity to relevant regulations.

Harmonised standards applied are;

- EN 809
- EN ISO 12100:2010

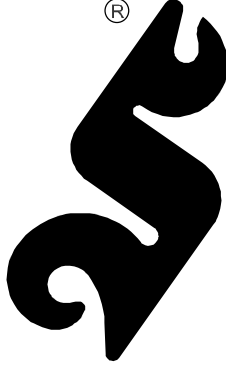


Şeref T. ÇELEBİ

General Vice Manager

İstanbul, 12<sup>th</sup> January 2015





**Standart**  
POMPA ve MAKİNA SANAYİ TİC. A.Ş.

[www.standartpompa.com](http://www.standartpompa.com) / e-mail: [info@standartpompa.com.tr](mailto:info@standartpompa.com.tr)

**Factory - Center**

Organize Sanayi Bölgesi  
2.Cad. No:9 34775  
İstanbul - TÜRKİYE  
Pbx: +90 216 466 89 00  
Fax: +90 216 415 88 60

**Service and Spare Parts**

Organize Sanayi Bölgesi  
2.Cad. No:9 34775  
İstanbul - TÜRKİYE  
Pbx: +90 216 466 89 00  
Fax: +90 216 466 89 13